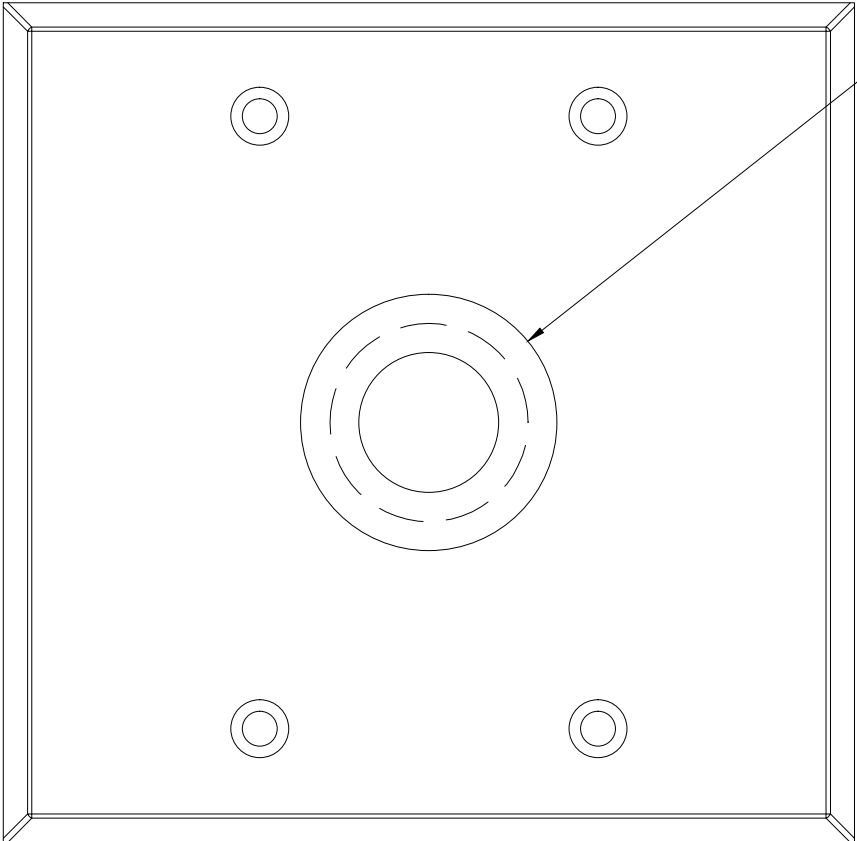


PART NO: 2-0L-.750	CAD NO: 4619	PRINT NO: <b>4619</b>	<i>REVISIONS</i>		
CUST. P/N:	MAT'L: 20 GA. S.S.		REV	DESCRIPTION	DATE
DESCRIPTION: WALL PLATE	MAT'L FINISH: N0.5 GRIT				



.750 I.D.  
GROMMET