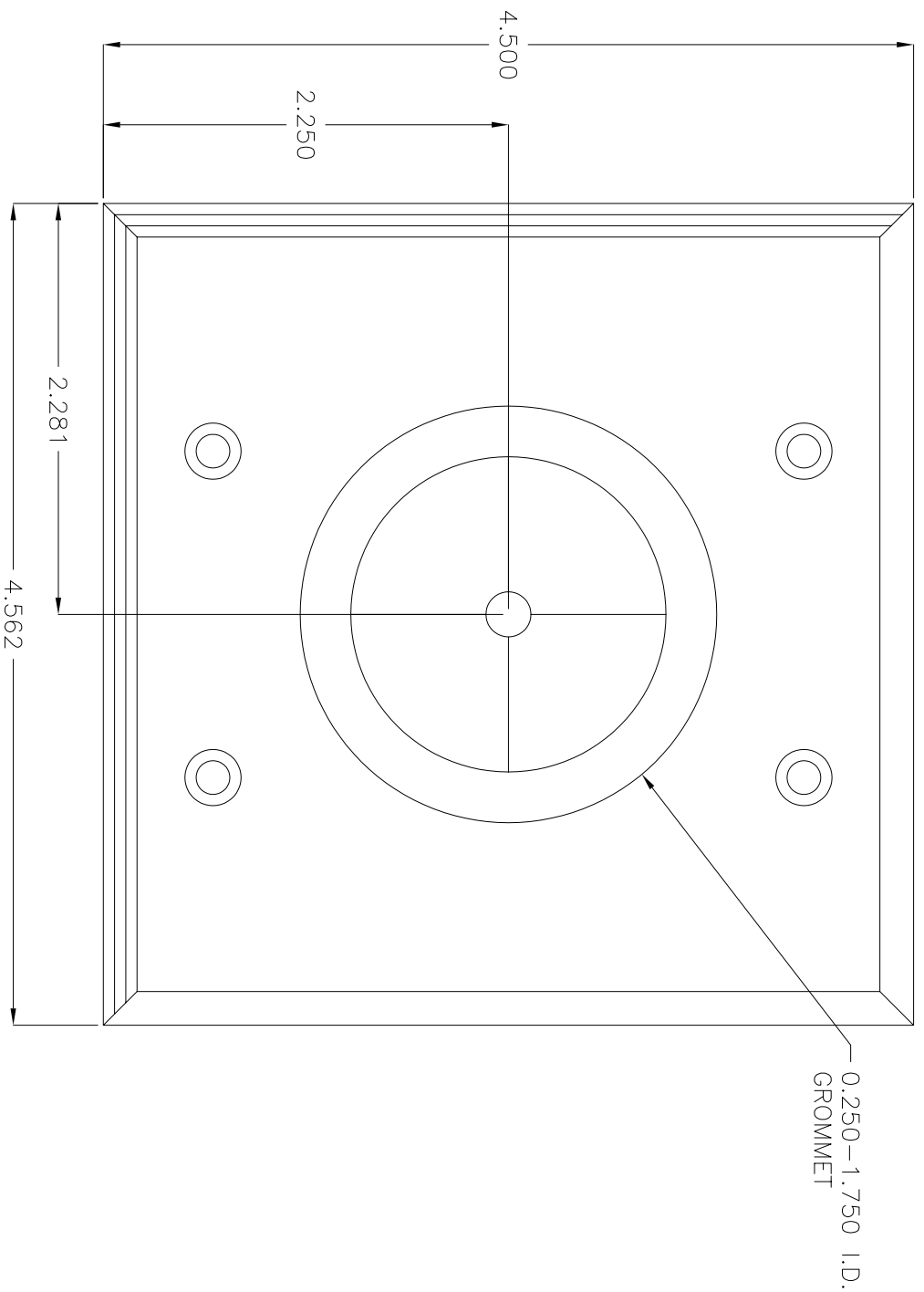


PART NO: 2-0L-UNIGROM	CAD NO: 50638	PRINT NO: 50638	REVISIONS	
CUST. P/N:	MAT'L: 20 GA. S.S.		DESCRIPTION	DATE
DESCRIPTION: WALL PLATE	MAT'L FINISH: NO.5 GRIT			



ALL RIGHTS RESERVED BY SEMTRON INC.
 THIS DRAWING IS A CONTROLLED DOCUMENT FOR SEMTRON INC. IT IS SUBJECT TO CHANGE AND THE CONTROLLING R&D/DRAFTING DEPARTMENT SHOULD BE CONTACTED FOR THE LATEST REVISION.

DWG BY: **MATT**
 DATE: 1-27-05

SHEET 1 OF 1

Semtron Inc. 6465 CORUNNA RD.
 FLINT, MI 48532
 (810) 732-9080

DO NOT SCALE DRAWING