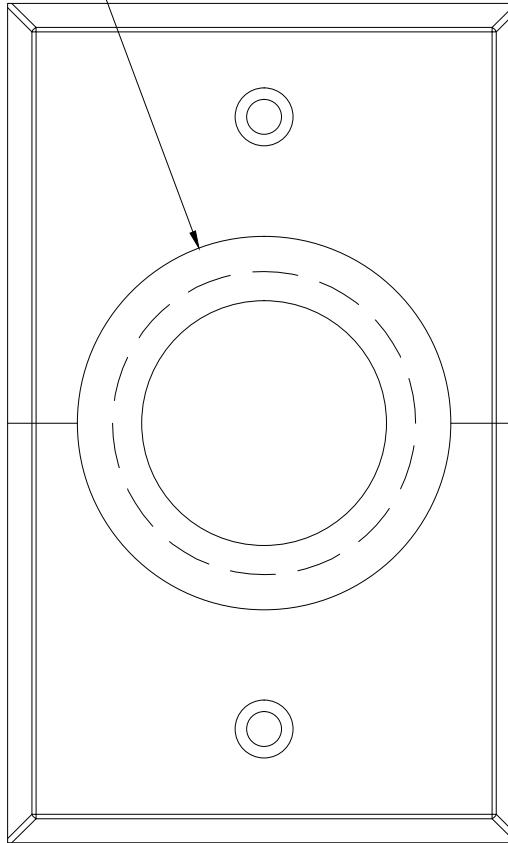



PART NO: WP804-1.31L	CAD NO: 8394	PRINT NO: <b>8394</b>	<i>REVISIONS</i>		
CUST. P/N:	MAT'L: 20 GA. S.S.		REV	DESCRIPTION	DATE
DESCRIPTION: WALL PLATE	MAT'L FINISH: NO.5 GRIT				

Ø1.312 I.D.  
GROMMET



<small>ALL RIGHTS RESERVED BY SEMTRON INC. THIS DRAWING IS A CONTROLLED DOCUMENT FOR SEMTRON INC. IT IS SUBJECT TO CHANGE AND THE CONTROLLING R&amp;D/DRAFTING DEPARTMENT SHOULD BE CONTACTED FOR THE LATEST REVISION.</small>	DWG BY: <b>JACK</b>	 6465 CORUNNA RD. FLINT, MI 48532 (810) 732-9080
	DWG DATE: <b>8-19-16</b>	
	SHEET <b>1</b> OF <b>1</b>	<i>DO NOT SCALE DRAWING</i>