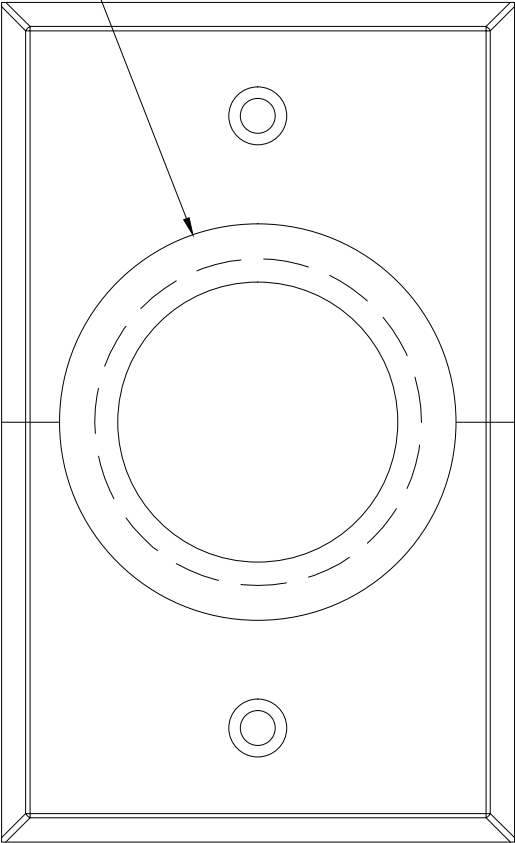



PART NO: WP804-1.500L	CAD NO: 11341	PRINT NO: 11341	REVISIONS		
CUST. P/N:	MAT'L: 20 GA. S.S.		REV	DESCRIPTION	DATE
DESCRIPTION: WALL PLATE	MAT'L FINISH: NO.5 GRIT				

ø1.500 I.D.
GROMMET



<small>ALL RIGHTS RESERVED BY SEMTRON INC. THIS DRAWING IS A CONTROLLED DOCUMENT FOR SEMTRON INC. IT IS SUBJECT TO CHANGE AND THE CONTROLLING R&D/DRAFTING DEPARTMENT SHOULD BE CONTACTED FOR THE LATEST REVISION.</small>	DWG BY: JACK	 6465 CORUNNA RD. FLINT, MI 48532 (810) 732-9080
	DWG DATE: 8-19-16	
	SHEET 1 OF 1	<i>DO NOT SCALE DRAWING</i>