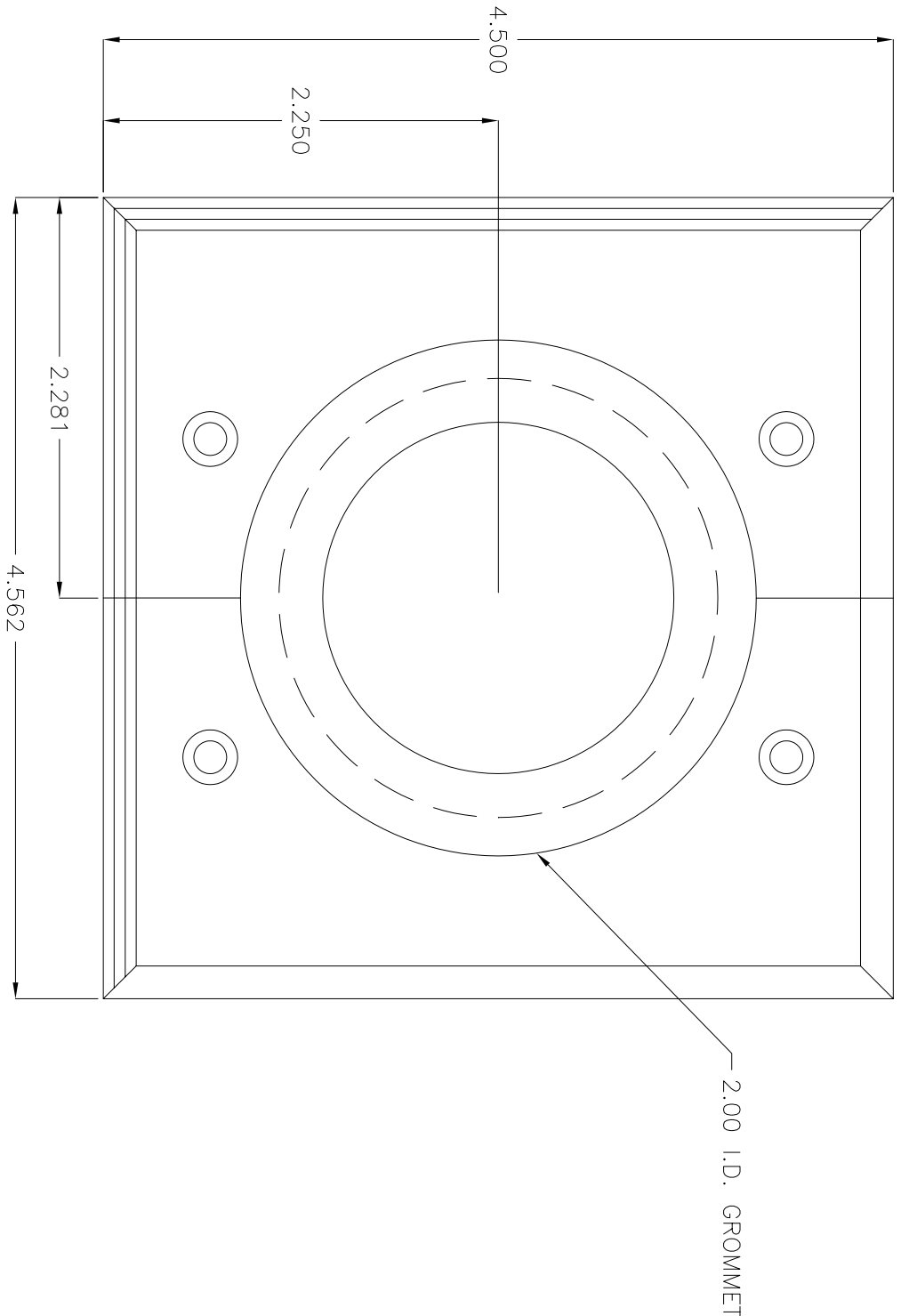


PART NO: WP805-2.00L	CAD NO: 17720	PRINT NO: <b>17720</b>	<b>REVISIONS</b>	
CUST. P/N:	MAT'L: 20 GA. S.S.		REV	DATE
DESCRIPTION: WALL PLATE	MAT'L FINISH: NO.5 GRIT		DESCRIPTION	



ALL RIGHTS RESERVED BY SEMTRON INC.  
 THIS DRAWING IS A CONTROLLED DOCUMENT FOR SEMTRON INC. IT IS SUBJECT TO CHANGE AND THE CONTROLLING R&D/DRAFTING DEPARTMENT SHOULD BE CONTACTED FOR THE LATEST REVISION.

DWG BY: **MATT**  
 DATE: 4-24-95

SHEET 1 OF 1

**Semtron Inc.** 6465 CORUNNA RD.  
 FLINT, MI 48532  
 (810) 732-9080

DO NOT SCALE DRAWING