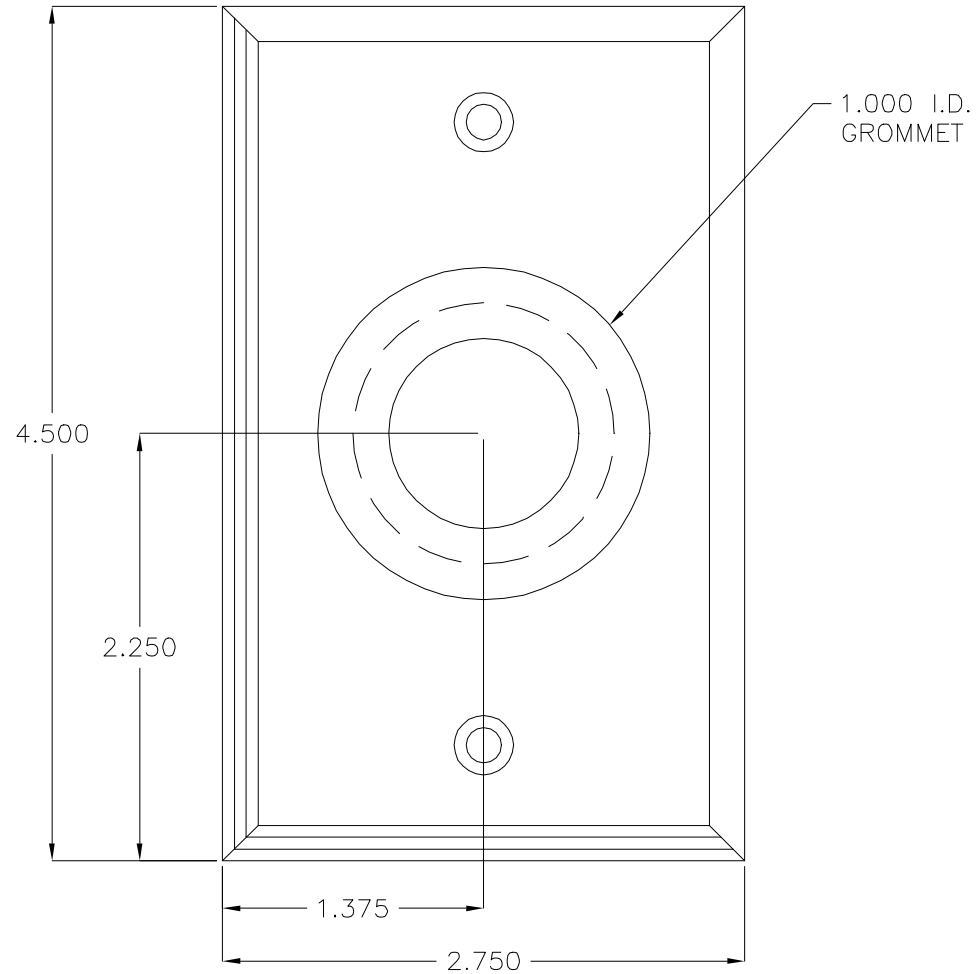


PART NO: WP806-1.00L	CAD NO: 2397	PRINT NO: 2397	REVISIONS		
CUST. P/N:	MAT'L: 20 GA. S.S.		REV	DESCRIPTION	DATE
DESCRIPTION: WALL PLATE	MAT'L FINISH: NO.5 GRIT				



ALL RIGHTS RESERVED BY SEMTRON INC.
 THIS DRAWING IS A CONTROLLED DOCUMENT FOR SEMTRON INC. IT IS SUBJECT TO CHANGE AND THE CONTROLLING R&D/DRAFTING DEPARTMENT SHOULD BE CONTACTED FOR THE LATEST REVISION.

DWG BY: **VENESSA**
 DWG DATE: 05-29-02

SHEET 1 OF 1



6465 CORUNNA RD.
 FLINT, MI 48532
 (810) 732-9080

DO NOT SCALE DRAWING