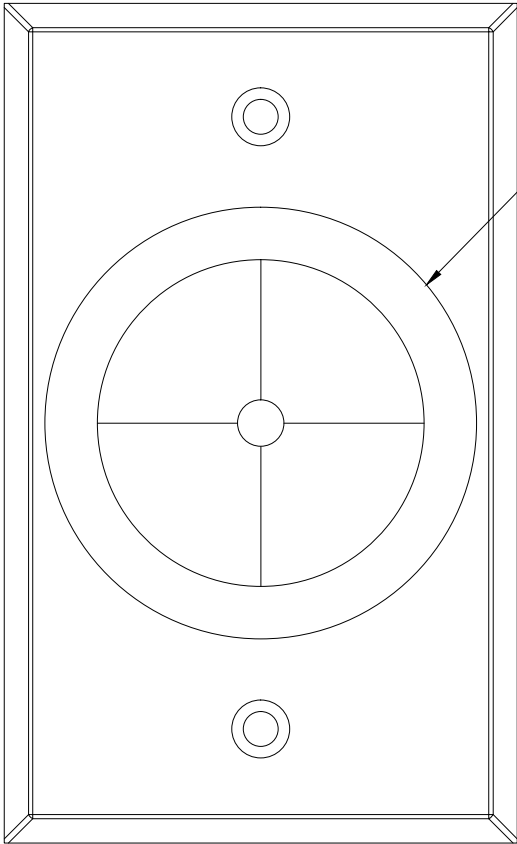


PART NO: WP806-UNI	CAD NO: 44552	PRINT NO: 44552	<i>REVISIONS</i>	
CUST. P/N:	MAT'L: 20 GA. S.S.		REV	DESCRIPTION
DESCRIPTION: WALL PLATE	MAT'L FINISH: NO.5 GRIT			DATE



0.250-1.750 I.D.
GROMMET

